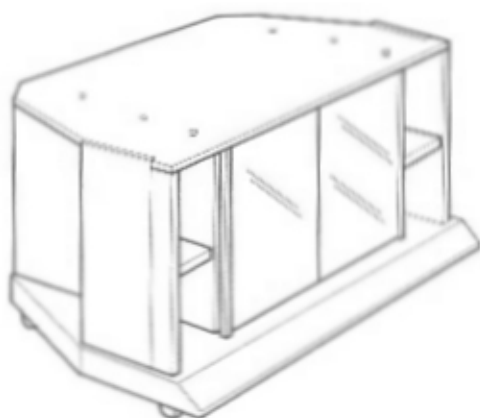


Panasonic®



Assembly Instructions TY-S34WX50 TV STAND

The tools required:



Plus (+) screwdriver

Important

A study of the assembly instructions will not only save you time, but may prevent possible damage to your new stand.








Assistance may be required for some assembly procedures.

CAUTION: THIS STAND IS DESIGNED ONLY FOR USE WITH PANASONIC TELEVISION RECEIVER.












UL APPROVED MODEL: CT-34WX50

Use with other appliances may result in instability causing possible injury.

Your hardware pack contains / Replacement parts

Assembly screws 4Pcs.  THE998	①	Rear panel fastneing screws 5Pcs.  THM915-2	②	Shelf pins 4Pcs.  TBL65347	③
Glass panel bushings 2Pcs.  TBL65368	④	Casters 6Pcs.  TBLB3023	⑤		
Metal position pins 8Pcs.  TBLA3072	⑥	Plastic position pins 8Pcs.  TBLB3046	⑦		

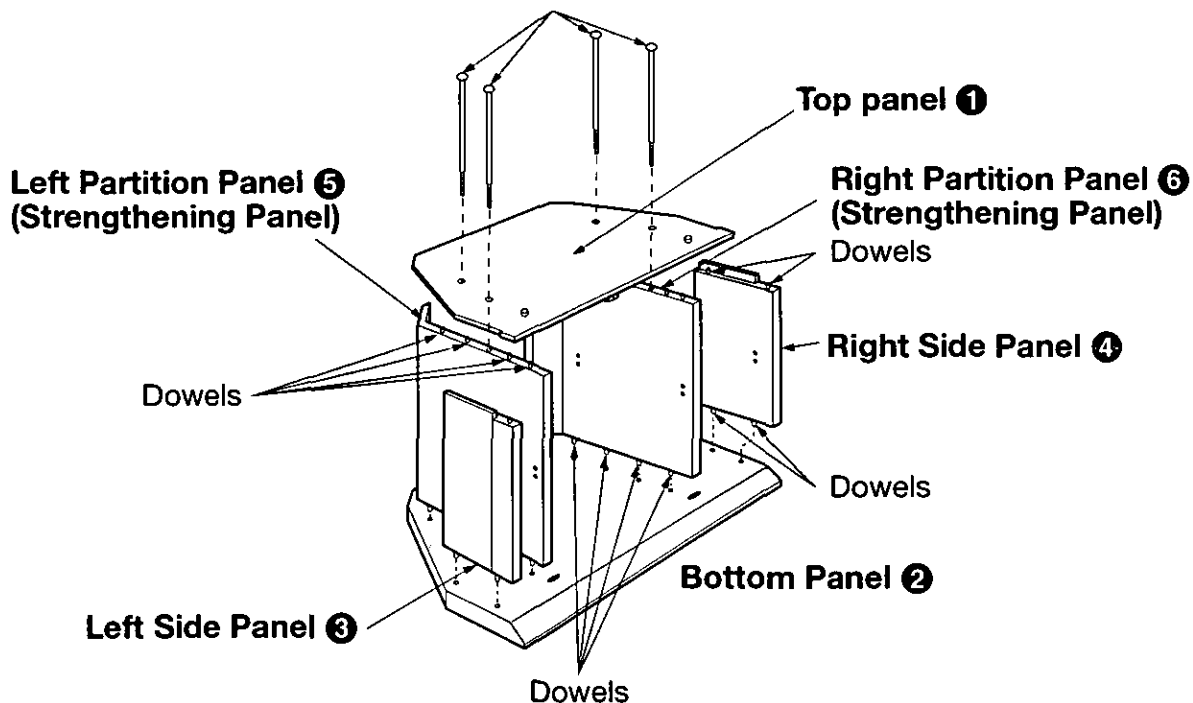
Replacement parts

Glass panel shaft seats  TMZ159972-2	Screws  XSB4+8FZ	Screws  XMM31+13	Magnetic catch  TKKF0004	Plastic position pins  TBL65392	
Metal pad  TKK68460-1	Left door's hinge  TBLA3070	Right door's hinge  TBLA3071	Glass panel(door)  TKG A5051	Glass panel (Shelf panel)  TKG A5052	Glass fixture screws  THE747V

Assembly

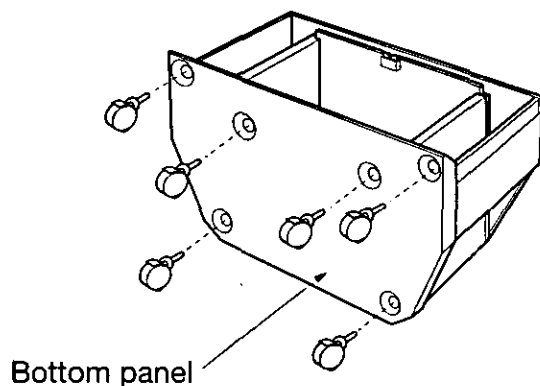
STEP 1 Assembling the Top Panel, Bottom Panel, Left & Right Sides Panels, and Left & Right Partition Panels

Use the assembly screws ① and attach firmly.

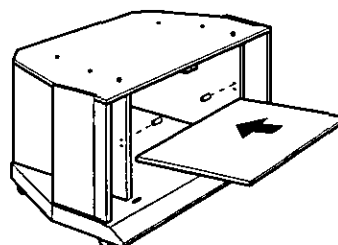


STEP 2 Attaching the Casters

Insert the casters firmly.



STEP 3 Attaching the Shelf Panel

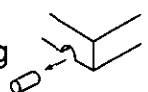


Shelf Panel ⑦
Face the black side toward the front.

Insert the shelf supporting pins ③ into the holes on the inward side of the partition panel ⑤⑥. The shelf can be set at 2 levels.

Incline the panel and place the dented parts over the shelf supporting pins.

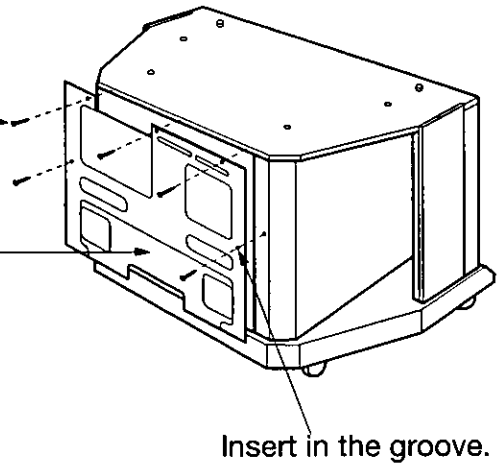
Shelf supporting pin ③



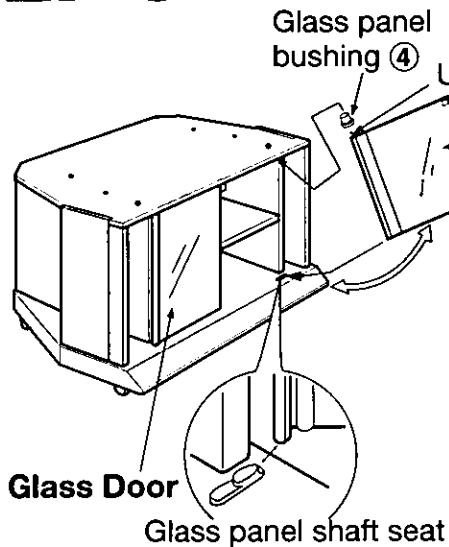
STEP 4 Attaching the Rear Panel

Rear panel fastening screws ②

Rear Panel ③
Face the black side toward the inside.
Tighten the rear panel fastening screws ② to strengthen the overall structure.



STEP 5 Attaching the glass doors



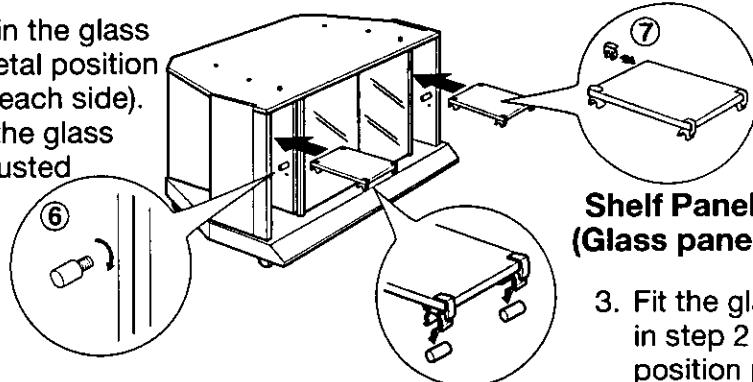
Glass Door
Install the door (in "open" conditions.)

1. Insert the glass panel bushing ④ into the holes of the top panel.
2. In order not to scratch the bottom panel, insert the upper shaft of the glass door (in "open" conditions) into the glass panel bushing ④.
3. While pushing the upper rotation shaft upward, slip the lower rotation shaft into the glass panel bushing. Make sure it is locked in position.

STEP 6 Attaching the Shelf Panel

1. Securely screw in the glass shelf support metal position pins ⑥ (four on each side). The position of the glass shelf can be adjusted in two steps.

Metal position pins ⑥

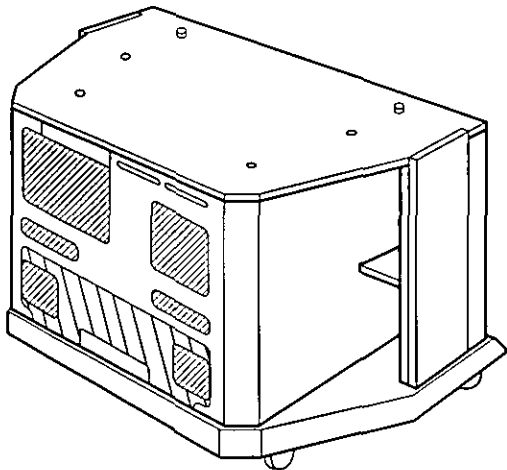


2. Attach the plastic position pins ⑦ to the four corners of the glass shelf. (Be sure to do this.)

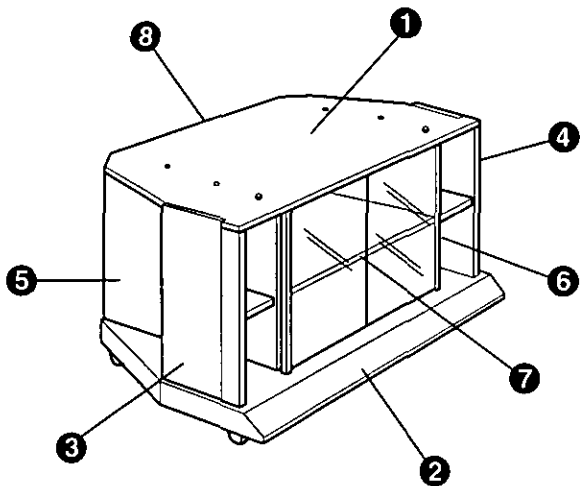
3. Fit the glass shelf assembled in step 2 snugly on the metal position pins.

Placement

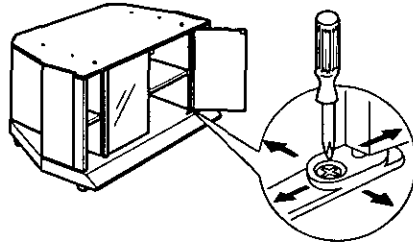
STEP 1 When placing video sets and other instruments



Knock-out (shaded) parts could be removed from the rear panel for wiring and ventilation of the instrument(s) placed inside.



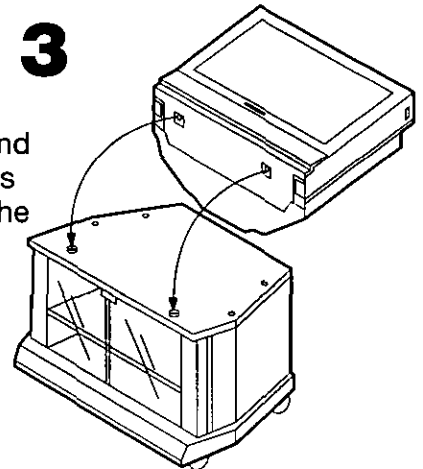
STEP 2 In case of offset or inclination of the doors



1. Loosen the screw of the glass panel bushing by using a plus (+) screwdriver.
 2. Move the bushing left, right, backward or forward to adjust for offset or inclination.
 3. Tighten the screw after finishing the adjustment.
- * Do not use electric powered screwdrivers.

STEP 3

Place Television Receiver on stand making sure pins are in line with the bottom holes of Television Receiver.



REPLACEMENT PARTS

Ref.	Description	Qty.	Part No.
1	Top panel	1	TBLH0365
2	Bottom panel	1	TBLH0355
3	Left side panel	1	TBLH0356
4	Right side panel	1	TBLH0357
5	Left partition panel	1	TBLH0315
6	Right partition panel	1	TBLH0316
7	Shelf panel	1	TBLH3282
8	Rear panel	1	TBLH0358

To maintain appearance we recommend the following:

Painted Surfaces: Use a damp cloth for cleaning. Do not use any abrasive or chemical treated cleaners.

NOTE: As with all indoor furniture, this unit should not be exposed to direct sunlight, extreme temperatures or moisture, as this can result in serious irreparable damage.

For improvement purposes, design and specifications are subject to change without notice.

When making a part(s) inquiry, please quote part no. & description.

For parts inquiries or for out of warranty purchases:

PANASONIC SERVICES COMPANY

20421 84th Avenue South, Kent, Washington 98032

Tel:1-800-833-9626

Fax:1-800-237-9080

© 2000 Matsushita Electric Industrial Co.,Ltd.

All rights reserved. Unauthorized copying and distribution is a violation of law.